


Applications

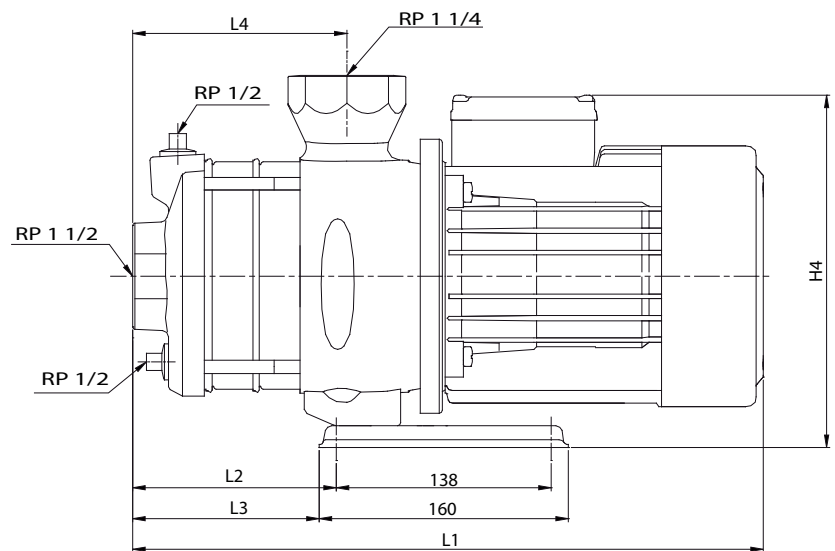
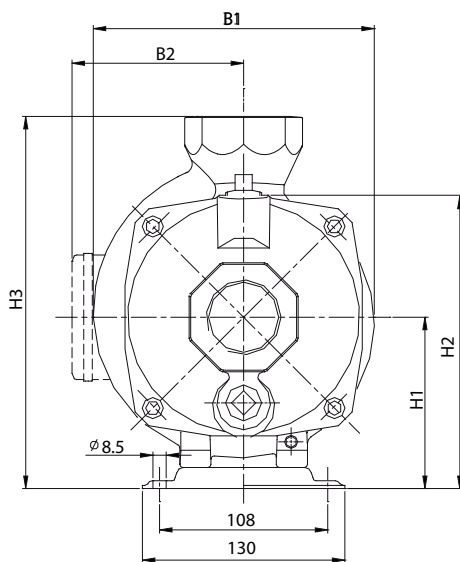
The EH pumps are designed for a wide range of applications including industrial, commercial, domestic and agricultural water pressure boosting, irrigation, transfer duty, circulation systems etc. The pumps are used extensively for specialist applications on packaged equipment.

Construction

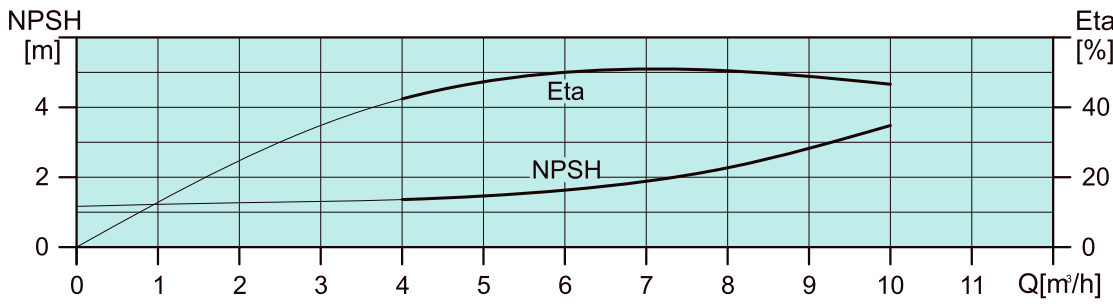
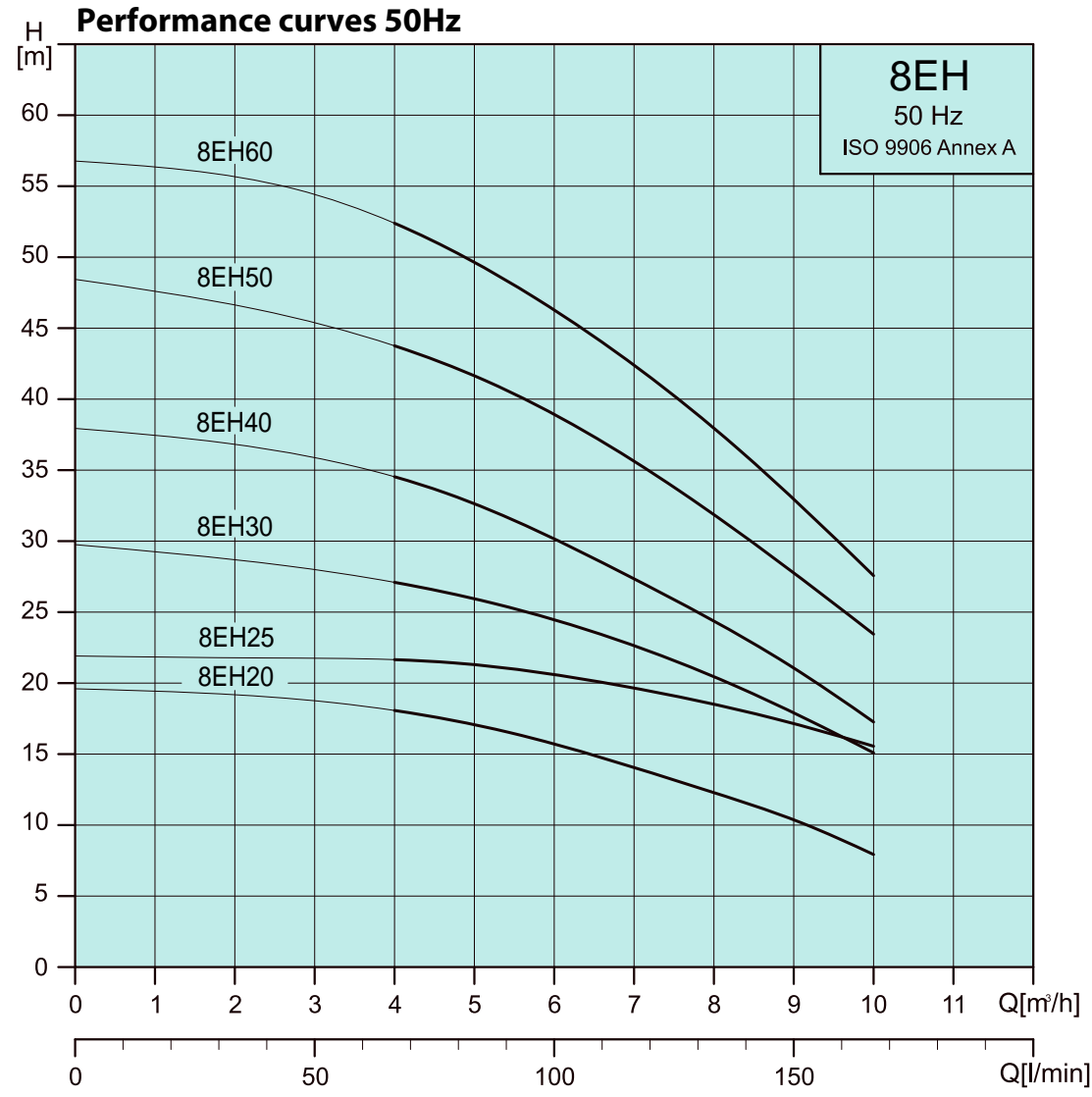
Heavy duty tie-rod supported pump chamber casting with cast iron pump ends for superior strength and reliability. All impellers and diffusers are 304L stainless steel. Filling and drain plugs are fitted as standard. Standard mechanical seal construction: silicon carbide, carbon, EPDM

Operating Conditions

Liquid temperature range: 0°C to +90°C
 Max ambient temperature: 45°C
 Product: Clean water without particles

8EH
Dimensions and weights 50 Hz


PUMP TYPE	mm													Kg		
	L1		L2	L3	L4	B1		B2		H1	H2	H3	H4		1 ~	3 ~
	1 ~	3 ~				1 ~	3 ~	1 ~	3 ~				1 ~	3 ~		
8EH20	320	320	54	42	78	181	181	136	116	112	190	240	248	228	17.2	17
8EH25	-	390	84	72	108	-	181	-	116	112	190	240	-	228	-	19.1
8EH30	390	390	84	72	108	181	181	136	116	112	190	240	248	228	19.5	19.2
8EH40	390	390	84	72	108	181	181	136	116	112	190	240	248	228	20.72	20.5
8EH50	478	420	132	120	138	185	181	156	116	112	190	240	268	228	27.9	21.4
8EH60	478	478	132	120	138	185	185	156	141	112	190	240	268	253	28.1	27



Electrical data - 2850 rpm

PUMP TYPE	1 x 220-240 V		3 x 220-240Δ / 380-415V V	
	W	A	W	A
8EH20	740	3.4	720	2.6 / 1.5
8EH25	-	-	960	3.5 / 2.0
8EH30	1130	5.2	1100	3.8 / 2.2
8EH40	1400	6.3	1350	5.0 / 2.9
8EH50	1890	8.6	1730	6.0 / 3.5
8EH60	2150	9.8	2040	6.4 / 3.7